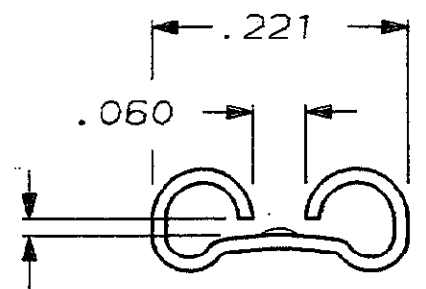
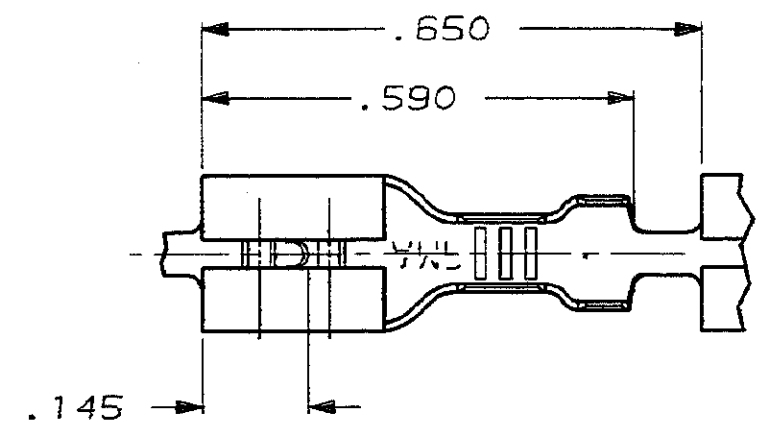


THIS DRAWING IS UNPUBLISHED. RELEASED FOR PUBLICATION ,19

© COPYRIGHT 1965 BY AMP INCORPORATED, HARRISBURG, PA. ALL INTERNATIONAL RIGHTS RESERVED. AMP PRODUCTS MAY BE COVERED BY U.S. AND FOREIGN PATENTS AND/OR PATENTS PENDING.

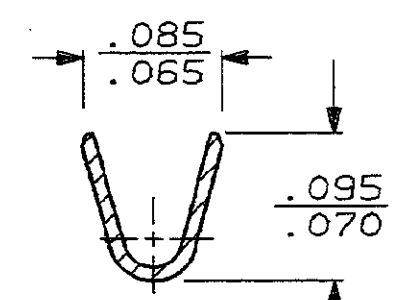
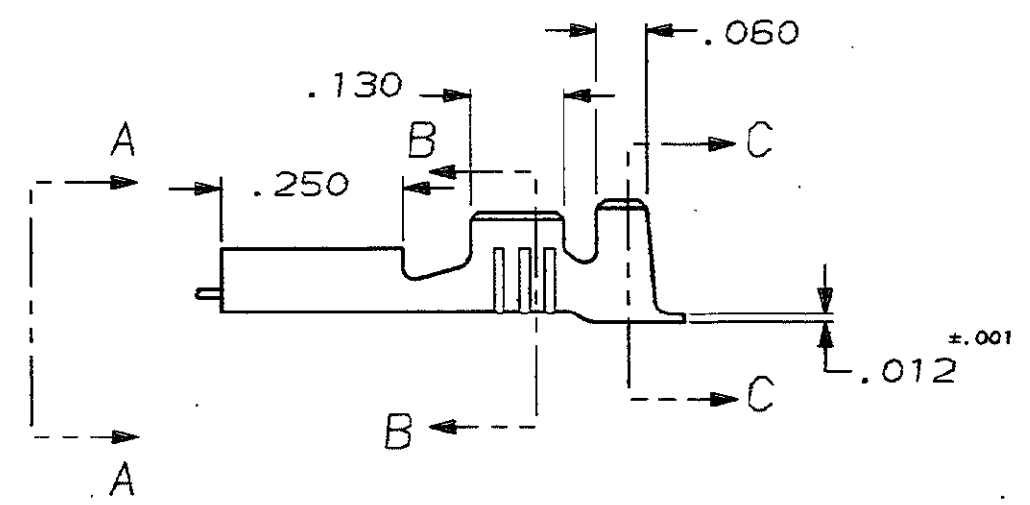
LOC	DIST	REVISIONS				
P	F	ZONE	LTR	DESCRIPTION	DATE	APPROVED
AF	50		Z	REDRAWN & SEP. FROM 42452	10-3-86	JR



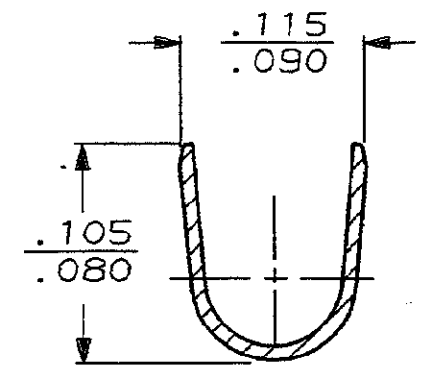
FITS .187 SERIES FASTON TAB

VIEW A-A


1 - CONTINUOUS STRIP ON REELS.



SECTION B-B



SECTION C-C

—	#4H BRASS	.040-.070	24-20	.020 ±.001	60573-2
TIN	#4H BRASS	.040-.070	24-20	.020 ±.001	60573-1
FINISH	MATERIAL	INSULATION RANGE	WIRE SIZE	TAB THK.	PART NO
UNLESS OTHERWISE SPECIFIED DIMENSIONS ARE IN INCHES TOLERANCES ON:		DR <i>J.R. Ratto</i> 10-3-86	 AMP INCORPORATED Harrisburg, Pa. 17105		
2 PL DEC ± -		CHK <i>G. Vetter</i> 10/27/86			
3 PL DEC ± .015		APPD <i>M. E. ...</i> 10/27/86	NAME .187 SERIES FASTON RECEPTACLE		
ANGLES ± -		APPD <i>R. K. ...</i> 10/27/86	SIZE B FSCM NO 00779 DRAWING NO 60573		
MATERIAL	SEE ABOVE	PRODUCT SPEC	SCALE NTS SHEET 1 OF 1		
FINISH	SEE ABOVE	APPLICATION SPEC			
		WEIGHT			